




NOTES:

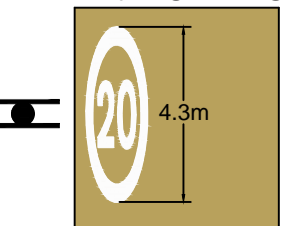
Sign A
20 mph
600mm

Sign B
20 mph
300mm

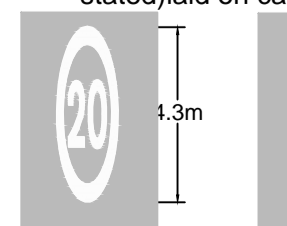
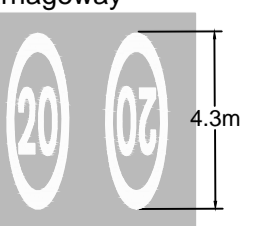
Sign C
30 mph
600mm

ALL POSTS/BACKINGS/BRACKETS TO BE BLACK
All sign post foundations to be 600mmM3
WC Engineer to mark out works prior to works start

LINING/HFS DETAILS:
20mph roundels at terminal points into village (where stated) with BUFF HFS



LINING DETAILS:
20mph roundels (1 or 2) at various locations in village (where stated) laid on carriageway

Wiltshire Council
Where everybody matters

Traffic & Network Management
County Hall, Bythesea Road, Trowbridge
Wiltshire, BA14 8JD
Tel: 0300 4560100
Website: www.wiltshire.gov.uk

This map is reproduced from Ordnance Survey material with the permission of Ordnance Survey on behalf of the Controller of Her Majesty's Stationary Office
© Crown copyright.
Unauthorised reproduction infringes Crown Copyright and may lead to prosecution or Civil Proceedings.
Wiltshire Council (100049050) 2019

F					
E					
D					
C					
B					
A					
O	10/19	SLD	MJS	MJS	ORIGINAL
REV	DATE	DRAWN	CHECK	APPROV	DESCRIPTION
DRAWING PURPOSE: DESIGN					

PROJECT:	BURBAGE 20 MPH SPEED LIMIT		
DRAWING TITLE:	DESIGN		
SCALES:	NOT TO SCALE	SHEET SIZE:	A2
DRAWING No:	2018-174/SLD/BURB/D002	REVISION:	0
FILE REF:	L/TET/AB/PEWSEY/		